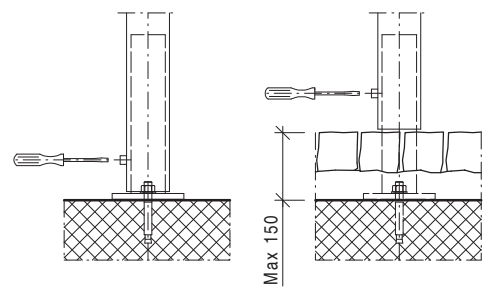
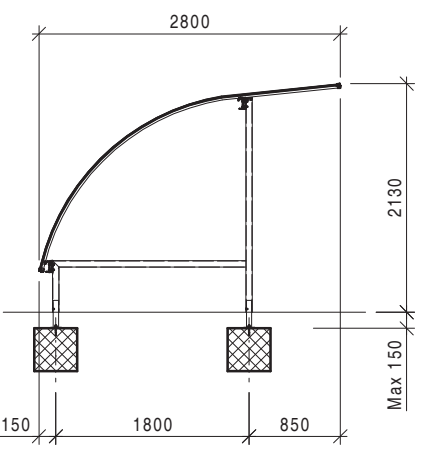


Plane of foundation
 Fundamentplan
 Plan de fondation
 Schema fondazioni



| | |
|---------------------|------------|
| COVER CYCLES | 24.03.2015 |
| FAHRRADUEBERDACHUNG | MR |
| TOITURE A VELO | |
| COPERTURA CICLI | |

STANDARD S1800

KERNSTUDER
 TRENWÄNDE + TORE

Weberütistrasse 9
 8833 Samstagern
 T 044 783 22 44 F 044 783 22 43
 info@kern-studer.ch
 www.kern-studer.ch